



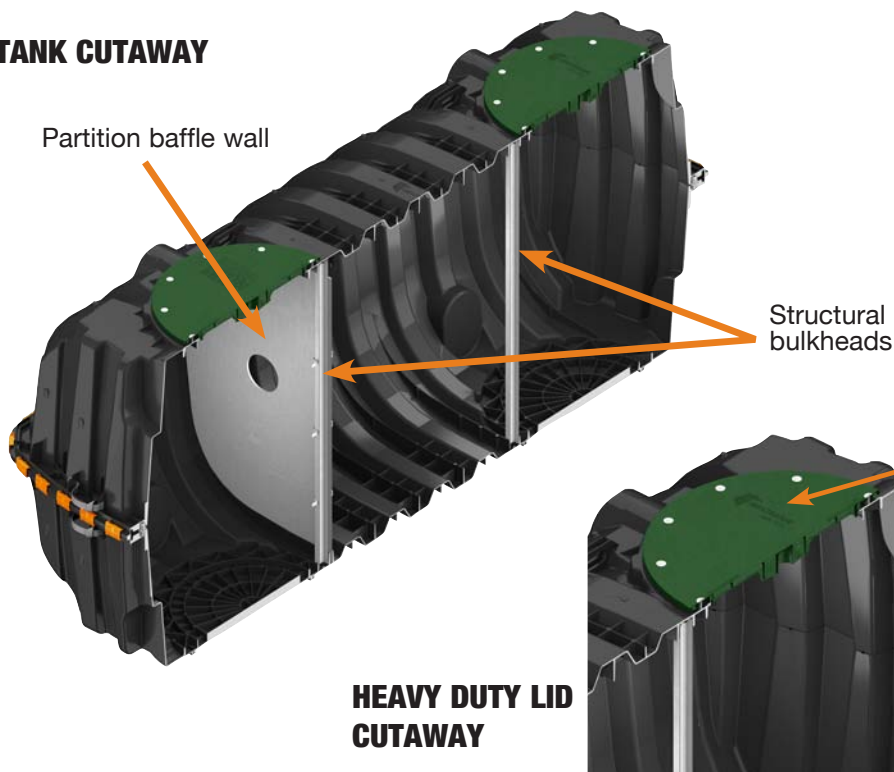
IM-1060

The Infiltrator IM-Series septic tanks are lightweight, strong and durable. This watertight tank design is offered with Infiltrator's line of custom-fit risers and heavy-duty lids. Infiltrator injection molded tanks provide a revolutionary improvement in plastic septic tank design, offering long-term exceptional strength and watertightness. Available in 475 gallon, 1094 gallon and 1537 gallon working capacity tanks.

### Features & Benefits

- Strong injection molded polypropylene construction
- Lightweight plastic construction and inboard lifting lugs allow for easy delivery and handling
- Integral heavy-duty green lids that interconnect with TW™ risers and pipe riser solutions
- Can be pumped dry during pump-outs
- Can be installed with 6" to 48" of cover
- Structurally reinforced access ports eliminate distortion during installation and pump-outs
- Reinforced structural ribbing offers additional strength
- Suitable for use as a pump tank or rainwater (non-potable) tank
- No special installation, backfill or water filling procedures are required

### TANK CUTAWAY



### MID-SEAM CUTAWAY



Infiltrator TW Riser System

Reinforced 24" structural access port

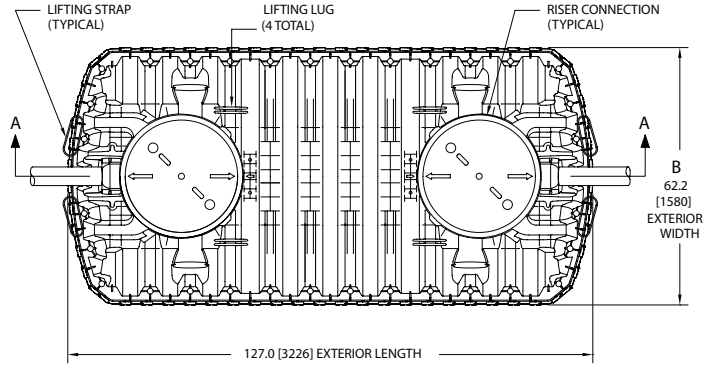


# IM-Series Septic Tanks

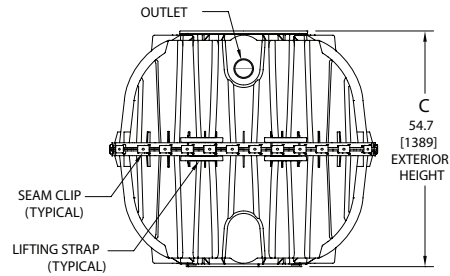
## General Specifications and Illustrations

The IM-Series septic tanks are an injection molded two piece mid-seam plastic tank. The IM-Series tanks are injection molded plastic design allows for a mid-seam joint that has precise dimensions for accepting an engineered EPDM gasket. Infiltrator's gasket design utilizes technology from the water industry to deliver proven means of maintaining a watertight seal.

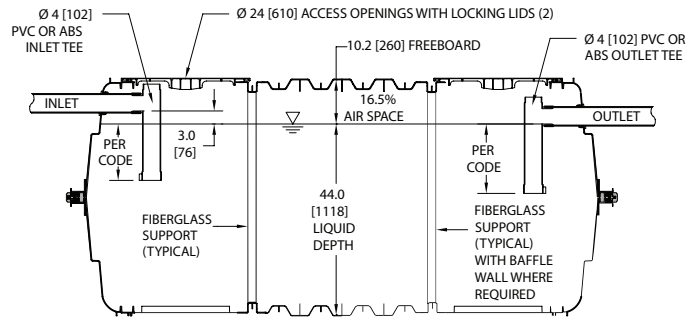
The two-piece design is permanently fastened using a series of non-corrosive plastic alignment dowels and locking seam clips. The IM-Series tanks are assembled and sold through a network of certified Infiltrator distributors.



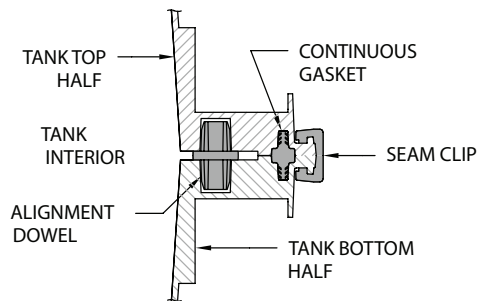
**TOP VIEW**



**END VIEW**



**SIDE VIEW**



**MID-HEIGHT SEAM SECTION**

IM-Series Septic Tank Series			
Parameter	IM-540	IM-1060	IM-1530
Working Capacity	475 gal (1799L)	1094 gal (4141 L)	1537 gal (5818 L)
Total Capacity	552 gal (2089 L)	1287 gal (4872 L)	1787 gal (6765 L)
Airspace	16.2%	16.5%	16.9%
Length (A)	64.9" (1648 mm)	127" (3226 mm)	176" (4460 mm)
Width (B)	61.7" (1567 mm)	62.2" (1580 mm)	62" (1567 mm)
Length-to-Width Ratio	1.1 to 1	2.3 to 1	2.8 to 1
Height (C)	54.6" (1387 mm)	54.7" (1389 mm)	55" (1384 mm)
Liquid Level	44" (1118 mm)	44" (1118 mm)	44" (1118 mm)
Invert Drop	3" (76 mm)	3" (76 mm)	3" (76 mm)
Fiberglass Supports	0	2	4
Compartments	1	1 or 2	1 or 2
Maximum Burial Depth	48" (1219 mm)	48" (1219 mm)	48" (1219 mm)
Minimum Burial Depth	6" (152 mm)	6" (152 mm)	6" (152 mm)
Maximum Pipe Diameter	4" (100 mm)	6" (152 mm)	4" (100 mm)
Weight	169 lbs (77 kg)	320 lbs (145 kg)	501 lbs (228 kg)



4 Business Park Road  
P.O. Box 768  
Old Saybrook, CT 06475  
860-577-7000 • Fax 860-577-7001  
**1-800-221-4436**  
[www.infiltratorsystems.com](http://www.infiltratorsystems.com)

U.S. Patents: 4,759,661; 5,017,041; 5,156,488; 5,336,017; 5,401,116; 5,401,459; 5,511,903; 5,716,163; 5,588,778; 5,839,844 Canadian Patents: 1,329,959; 2,004,564 Other patents pending. Infiltrator, Equalizer, Quick4, and SideWinder are registered trademarks of Infiltrator Systems, Inc. Infiltrator is a registered trademark in France. Infiltrator Systems, Inc. is a registered trademark in Mexico. Contour, MicroLeaching, PolyTuff, ChamberSpacer, MultiPort, PosiLock, QuickCut, QuickPlay, SnapLock and StraightLock are trademarks of Infiltrator Systems, Inc. PolyLok is a trademark of PolyLok, Inc. TUF-TITE is a registered trademark of TUF-TITE, INC. Ultra-Rib is a trademark of IPEX Inc.

© 2014 Infiltrator Systems, Inc. All rights reserved. Printed in U.S.A.

IM32 0814

**Contact Infiltrator Systems' Technical Services Department for assistance at 1-800-221-4436**